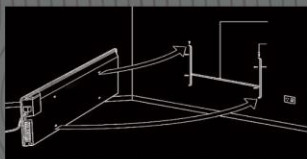


GOLDAIR™

Panel Heater

OPERATING INSTRUCTIONS



Model: GPH150, GPH250, GPH350, GPH450

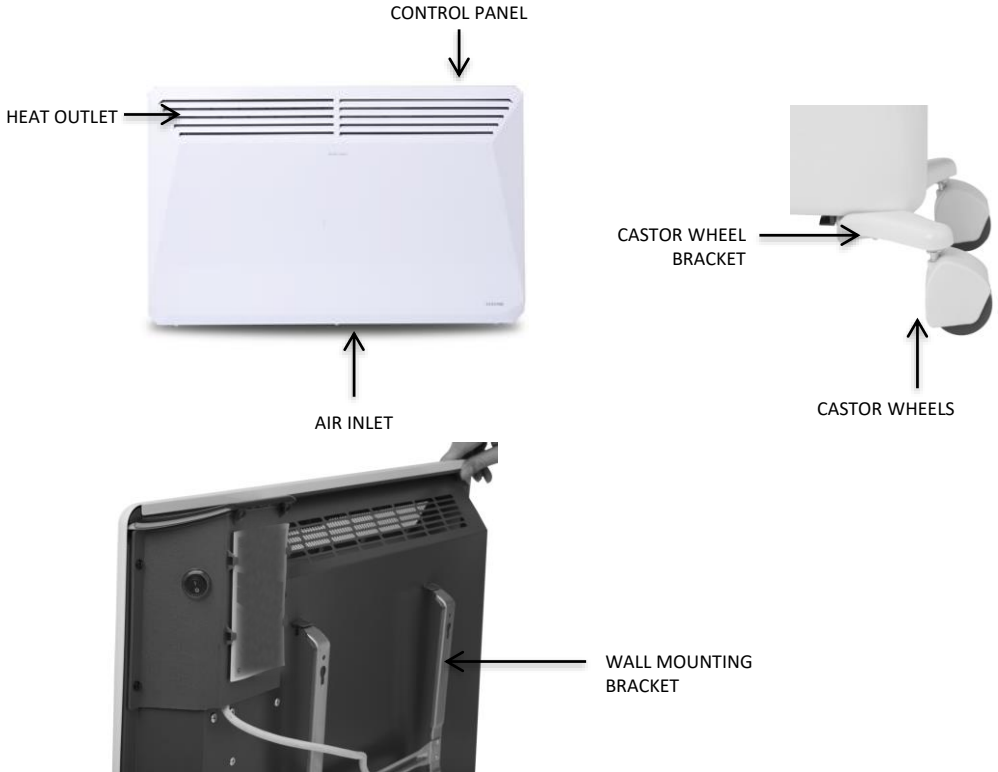
General Care and Safety Guide

Thank you for choosing a Goldair Panel Heater. This Goldair appliance has been designed and manufactured to high standards of engineering and with proper use and care, as described in this booklet, will give you years of useful service. Please read these instructions carefully and keep for future reference.

1. **WARNING** you must not cover this appliance. Covering this appliance presents fire risk and will activate the safety fuse; permanently disabling the unit.
2. Use only the voltage specified on the rating label of the appliance.
3. Keep all objects at least 1 metre from the front, sides and rear of the appliance.
4. This appliance is intended for household use only and not for commercial or industrial use.
5. Indoor use only.
6. Do not use abrasive cleaning products on this appliance. Clean with a damp cloth (not wet) rinsed in hot soapy water only. Always remove plug from the mains supply before cleaning.
7. The common cause of overheating is deposits of dust or fluff in the appliance. Ensure these deposits are removed regularly by unplugging the appliance and vacuum cleaning the air vents and grills.
8. Always unplug appliance when not in use.
9. When the appliance has been unpacked, check it for transport damage and ensure all parts have been delivered. If parts are missing or the appliance has been damaged, contact the Goldair Customer Services Team.
10. If your appliance does not work, or is not working properly, contact the place of purchase or the Goldair Customer Services Team.
11. Do not connect the appliance to mains supply until completely assembled and adjusted.
12. Ensure hands are dry before handling the plug or main unit.
13. Do not locate the appliance directly below any power socket outlet.
14. Ensure appliance is on a flat, stable, heat-resistant surface.
15. Do not operate with cord set coiled up as a heat build up is likely, which could be sufficient to become a hazard.
16. Carry out regular checks of the supply cord to ensure no damage is evident.
17. Do not operate this appliance with a damaged cord, plug or after the appliance malfunctions or has been dropped or damaged in any manner. Return to a qualified electrical person for examination, electrical service or repair.
18. Do not remove plug from power socket by pulling cord; always grip plug.
19. Do not twist, kink or wrap the cord around the appliance, as this may cause the insulation to weaken and split. Always ensure that all cord has been removed from any cord storage area and is unrolled before use.
20. It is recommended that this appliance is plugged directly into the wall socket. The use of power boards is not recommended as many power boards are not designed to supply power to high wattage appliances.
21. A correctly specified, undamaged extension cord may be used with this appliance provided it is used in a safe manner.
22. Use this appliance only as described in this manual. Any other use is not recommended by the manufacturer and may cause fire, electric shock or injury.
23. Do not remove plug from power socket until the appliance has been switched off.
24. Do not remove plug from power socket by pulling cord; Do not place cord under carpet or cover with rugs or furniture. Arrange the cord so it cannot be tripped over.
25. Do not place appliance on bedding or on thick & long carpet where the openings may get blocked.
26. Switch off and use handle provided when moving.
27. Do not place appliance close to radiant heat source.
28. Never use the appliance to dry clothes.
29. Do not insert or allow foreign objects to enter any ventilation or exhaust opening, as this may cause an electric shock, fire or damage to the appliance.
30. Do not sit on the appliance.
31. Do not operate in areas where petrol, paint or other flammable liquids are used or stored.
32. This appliance is not intended for use by persons (including children) with reduced physical, sensory or mental capabilities or lack of experience and knowledge, unless they are supervised or have been given instruction concerning the use of the appliance by a person responsible for their safety.
33. Children should be supervised to ensure that they do not play with the appliance.
34. Do not use this appliance in the immediate surrounds of a bath, a shower, or a swimming pool or other liquids. The appliance must not be immersed in any liquids.
35. There are no user serviceable parts installed in the unit.
36. Do not place the unit in wardrobes or other enclosed spaces as this may cause fire hazards.
37. This unit is not supposed to be used in or around locations where foodstuffs, works of art or delicate articles of science, etc are stored.

YOUR SAFETY IS IMPORTANT TO US. PLEASE ENSURE YOU TAKE NOTE OF THE INSTRUCTIONS AND WARNINGS OUTLINED IN THIS MANUAL.

Components

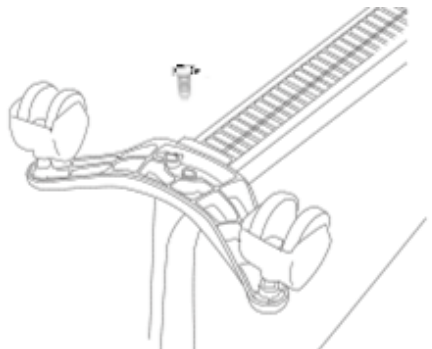


Assembly and Installation

Before using this appliance, it must either be wall mounted or have the castor plates and castors fitted. The screw pack to attach the feet to your appliance will be taped to either one of the feet for your appliance, or taped to the plug.

FREE STANDING

1. Ensure the appliance is unplugged and power switches are off.
2. Carefully turn the Main Body upside-down on a scratch-free and stable surface. Be careful to prevent damage to the cosmetic finish or your floor surfacing.
3. Align the screw hole on the Castor Wheel Bracket with the screw hole on the base of the appliance.
4. Attach Castor Wheel Bracket with the one way screws provided and ensure the bracket sits firmly in place (do not over tighten). Firmly press Castor Wheels into the slots provided on the Castor Wheel Bracket until they click into place. Some force may be required.
5. Set appliance upright and plug into a standard 240 volt AC electrical outlet.



Assembly and Installation

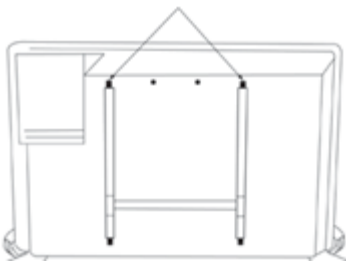
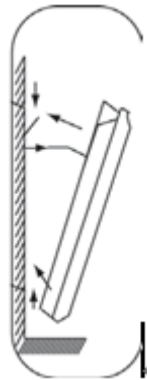
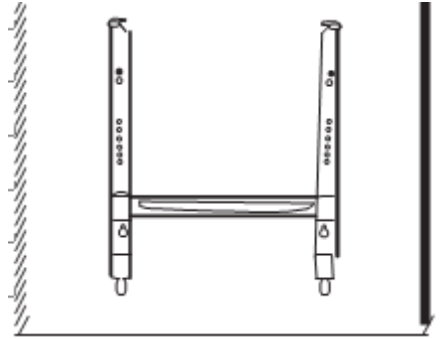
NOTE: Your Goldair Panel Heater should be installed with at least 150mm clearance from the floor and any other surrounding parts including other appliances, side walls, ceilings, shelves and soft furnishings.

Note: Do not run the power cord behind the heater.

WALL MOUNTED HEATERS ARE ONLY TO BE MOUNTED ON WALLS THAT COMPLY WITH CURRENT AS/NZS SPECIFICATIONS & BUILDING REGULATIONS

WALL MOUNTED

1. Make sure the appliance is unplugged and power switches are off.
2. Position the panel appliance within one metre of a wall socket. Do not mount in front of or below the wall socket. Ensure there is at least 150mm clearance on all sides of the appliance.
3. Detach the mounting bracket from the back of the panel appliance by unscrewing the two locking screws (located on the top of the mounting bracket).
4. Position the mounting bracket on the wall and mark the hole positions with a pen or pencil and check they are horizontal with a spirit level. Ensure the two bottom mount holes are at least 150mm from the floor and drill holes as required.
5. Secure the mounting bracket to the wall with the mounting screws. (For masonry walls use the plastic sheaths).
6. Slot the back of the appliance onto the mounting bracket locating the bottom plugs first and secure with two locking screws.
7. Plug appliance into a standard 240 volt AC electrical outlet.



Operating your Appliance

Always choose a safe location for the appliance, keeping in mind the safety precautions outlined. Ensure all packaging has been removed from the unit before use.

WARNING: Keep all objects at least 1 metre from the front and 150mm from the sides of the appliance.

WARNING: In order to avoid overheating or risk of fire, do not cover the heater.

WARNING: Never leave this appliance unattended when in use.

WARNING: Do not use this appliance with a programmer, remote-control system, separate timer or any other device that switches the appliance on automatically.

Note: When the appliance is turned on for the first time, it may release a slight, odour or smoke. This odour or smoke is a normal occurrence caused by the initial heating of the internal heating elements and should not occur again.

CONTROL PANEL



O - Off
I - Low Heat
II - High Heat



Ensure the switch is in the Off position before plugging into the mains supply.

Use the 2 way switch to select your desired heat setting. When you are finished, return the switch to the Off position.

THERMOSTAT

Turn the thermostat knob clockwise until you reach the maximum position on the graduated scale. When the room reaches a comfortable temperature, slowly turn the knob anti-clockwise until the appliance turns off (you will hear a click). The appliance will now cycle on and off to maintain the set comfort level. Take note of this position setting for future use.

SAFETY DEVICES

This appliance has three protection devices:

1. Resettable thermal link - this will automatically disconnect the power to the appliance at a pre-set overheat temperature. After cooling down it will reset and power on again. If this occurs, investigate what is causing the appliance to overheat.
2. Thermal fuse - this disconnects the appliance permanently in case of overheating. (It is non resettable).

CAUTION: The appliance generates heat during use. Proper precautions must be taken to prevent the risk of burns, scalds, fires or other damage to persons.

Care and Cleaning

CLEANING YOUR APPLIANCE

The appliance requires regular cleaning to ensure trouble free operation:

Unplug the appliance from the mains supply before cleaning.

Ensure that the appliance has been allowed to cool down completely before cleaning.

Use a damp (not wet) cloth to wipe the exterior of the appliance to remove dust and dirt.

Never use solutions such as benzene, thinners or polishing agents.

Use a vacuum cleaner to remove dust and fluff from the inlet and outlet grills and fins.

To clean behind the appliance (when mounted on a wall); unfasten the two locking screws located on the top of the mounting bracket, press down on the two release catches on the mounting bracket to tilt the appliance forward.

When the appliance is tilted forward, it is easier to clean behind it.

It is important to return the appliance to its original position after cleaning and to refasten the locking screws.

Ensure the appliance is dry before plugging back into the mains supply.

Do not attempt to dismantle the appliance. There are no user serviceable parts. For service or repair, contact an authorised electrical service technician.

PROOF OF PURCHASE

To receive warranty retain receipt as proof of purchase.

TECHNICAL SPECIFICATION

Model No: GPH150, GPH250, GPH350 & GPH450
Supply: 220-240VAC 50Hz
Wattage: 500W, 900-1000W, 1350-1500W, 1800-2000W

GOLDAIR

SUPPORT AND TECHNICAL ADVICE

Goldair – New Zealand
Monday – Friday 8am-5pm
Phone +64 (0)9 917 4000
Phone 0800 232 633
info@cdb.co.nz

Goldair – Australia
Monday – Friday 8am-5pm
Phone +61 (0)3 9365 5100
Phone 1300 465 324
info@cdbgoldair.com.au

Two Year Warranty

Thank you for purchasing this Goldair product. Your product is warranted against faults and manufacture when used in normal domestic use for a period of **two years**. In non-domestic use Goldair limits the voluntary warranty to **three months**.

Goldair undertake to repair or replace this product at no charge if found to be defective due to a manufacturing fault during the warranty period.

This warranty excludes damage caused by misuse, neglect, shipping accident, incorrect installation, or work carried out by anyone other than a qualified electrical service technician.

PLEASE KEEP YOUR RECEIPT AS THIS WILL HELP VERIFY YOUR WARRANTY.

The benefits given to you by this warranty are in addition to other rights and remedies available to you under law in relation to the goods or services to which this warranty relates.

In Australia, our goods come with guarantees that cannot be excluded under the Australian Consumer Law. You are entitled to a replacement or refund for a major failure and compensation for any other reasonably foreseeable loss or damage. You are also entitled to have the goods repaired or replaced if the goods fail to be of acceptable quality and the failure does not amount to a major failure.

In New Zealand this warranty is additional to the conditions and guarantees of the Consumers Guarantee Act (1993).

Goldair – New Zealand

CDB Goldair
PO Box 100-707
N.S.M.C
Auckland

Phone +64 (0)9 917 4000
Phone 0800 232 633
www.goldair.co.nz

Goldair – Australia

CDB Goldair Australia Pty
PO Box 574
South Morang
Victoria, 3752

Phone +61 (0)3 9365 5100
Phone 1300 GOLDAIR (1300 465 324)
www.goldair.com.au

Goldair Two Year Warranty (IMPORTANT: Please complete and retain this warranty card)

Name _____

Address _____

Place Of Purchase _____ Date Of Purchase _____

Name Of Product _____ Model Number _____

Attach a copy of the purchase receipt to this warranty card

GOLDAIR™

CDB  GOLDAIR

New Zealand
PO Box 100-707,
North Shore Mail Centre,
Auckland, 0745

www.goldair.co.nz

Australia
PO Box 574,
South Morang,
Victoria, 3752

www.goldair.com.au